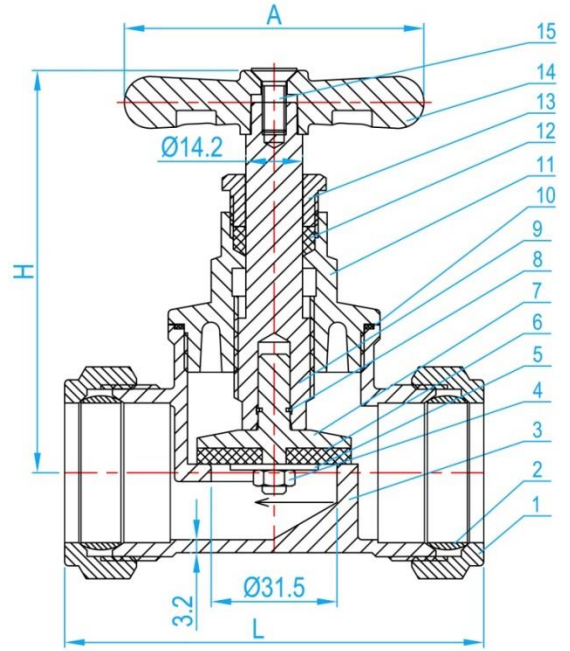


# BRASS CR STOP COCK COMPRESSION END

COMPLY WITH SS75-2:1978 (2012)  
AS/NZS4020:2005  
SS375:2015  
BSEN12165:2016  
BS 3457:1973



CROSS SECTIONAL VIEW

### STANDARD SPECIFICATIONS

Nominal Pressure	1.6Mpa
Working Medium	Water
Working Temperature	- 20°~120°C

### DIMENSIONS

SKU	SIZE (mm)	A (mm)	H (mm)	L (mm)	WEIGHT (kg)	PCS/ CTN
SCCRN035CR	35	75	101	105	1.116	16

### COMPONENT PARTS

ITEM	PARTS	MATERIAL
1	Compression Nut	DZR Brass
2	Compression Ring	DZR Brass
3	Body	DZR Brass
4	Nut	AISI304
5	Washer Plate	AISI304
6	Valve Clack	EPDM
7	Valve Seat	DZR Brass
8	Bead Flange	AISI304
9	Stem	CW602N
10	Gasket	PTFE
11	Bonnet	DZR Brass
12	Gland Packing	Expanded Graphite
13	Gland Nut	DZR Brass
14	Handle	DZR Brass
15	Head Screw	Brass